

# Helping the Visually Impaired in the Visual Creation Process

student name  
Vitor Carvalho

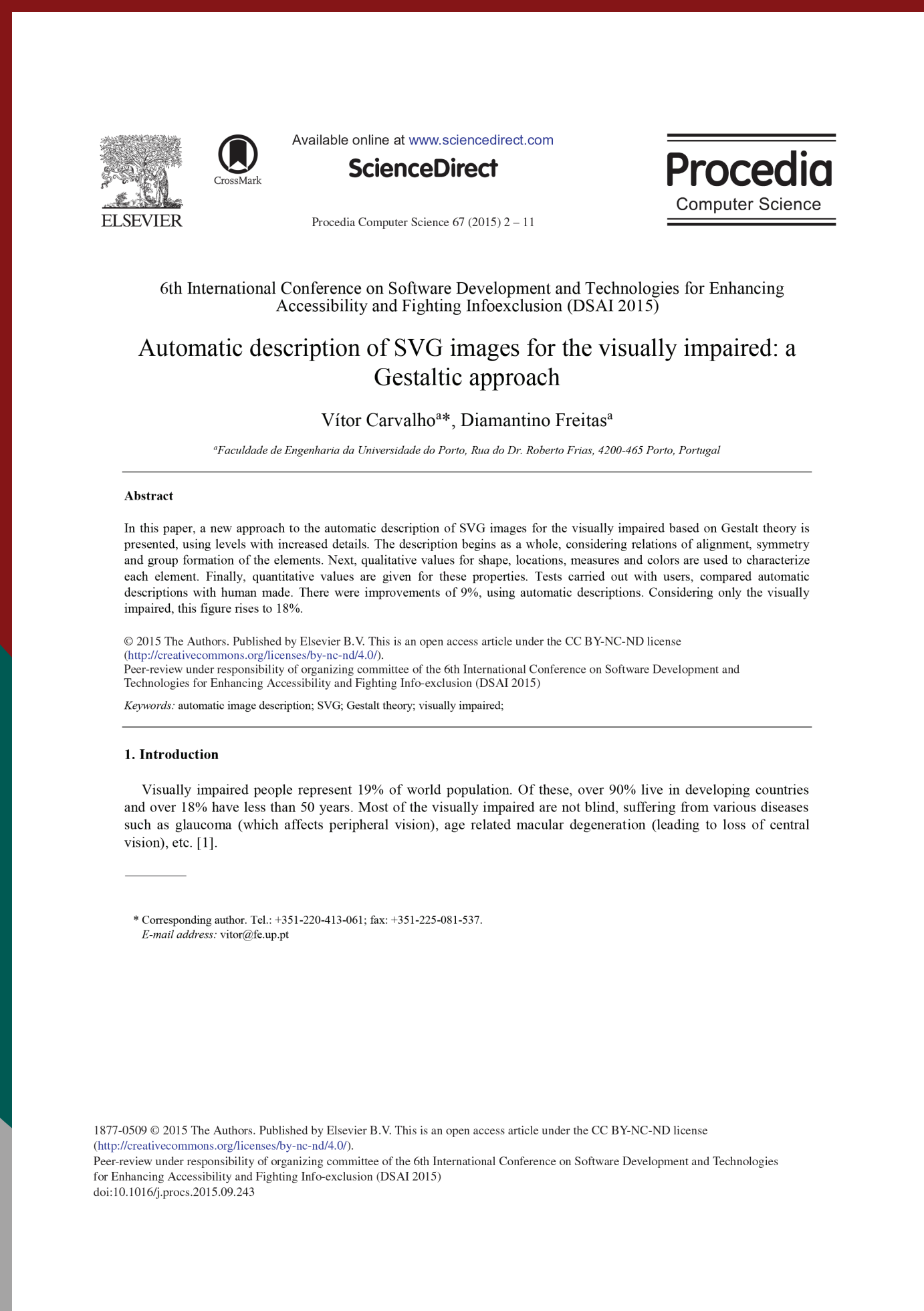
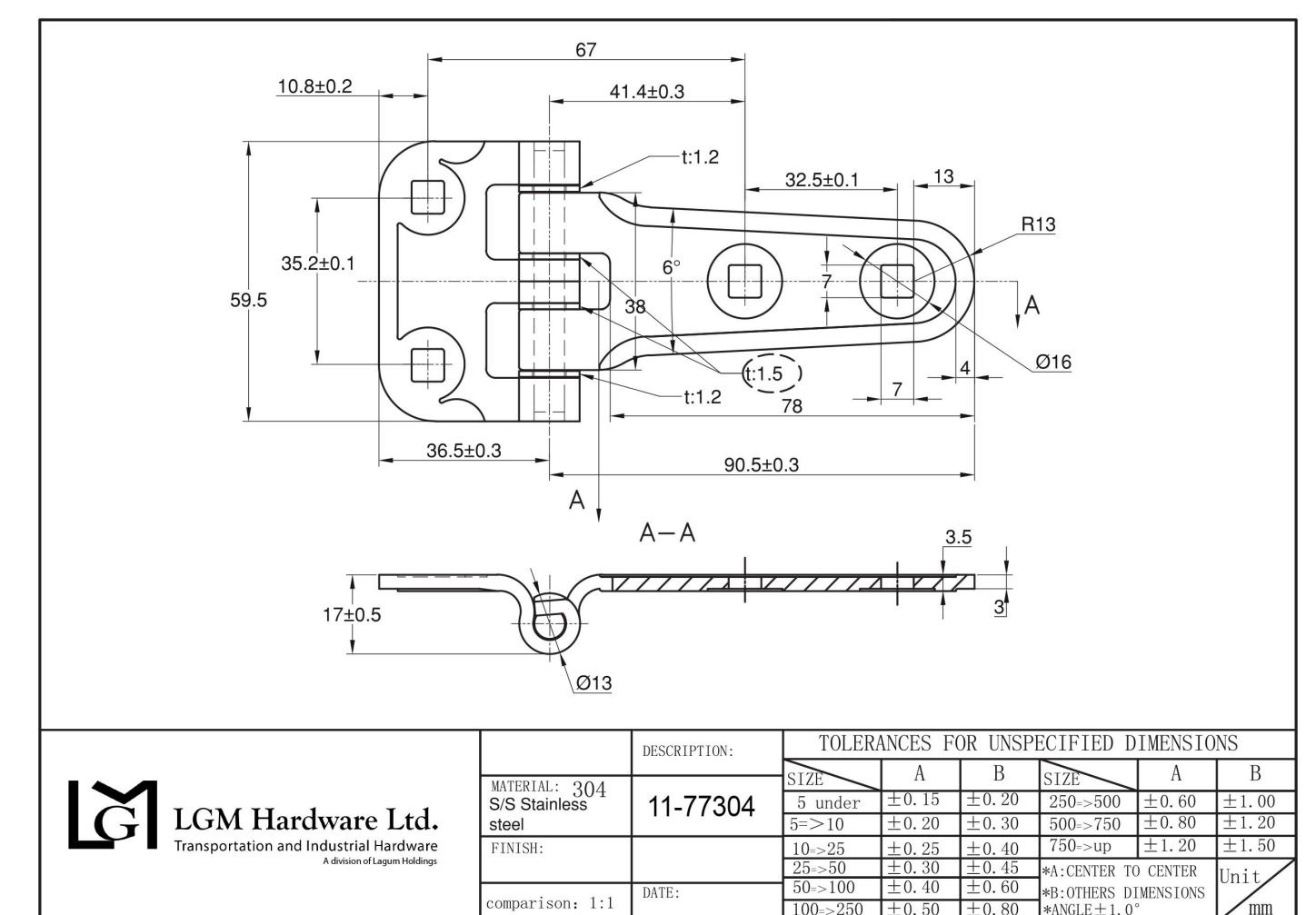
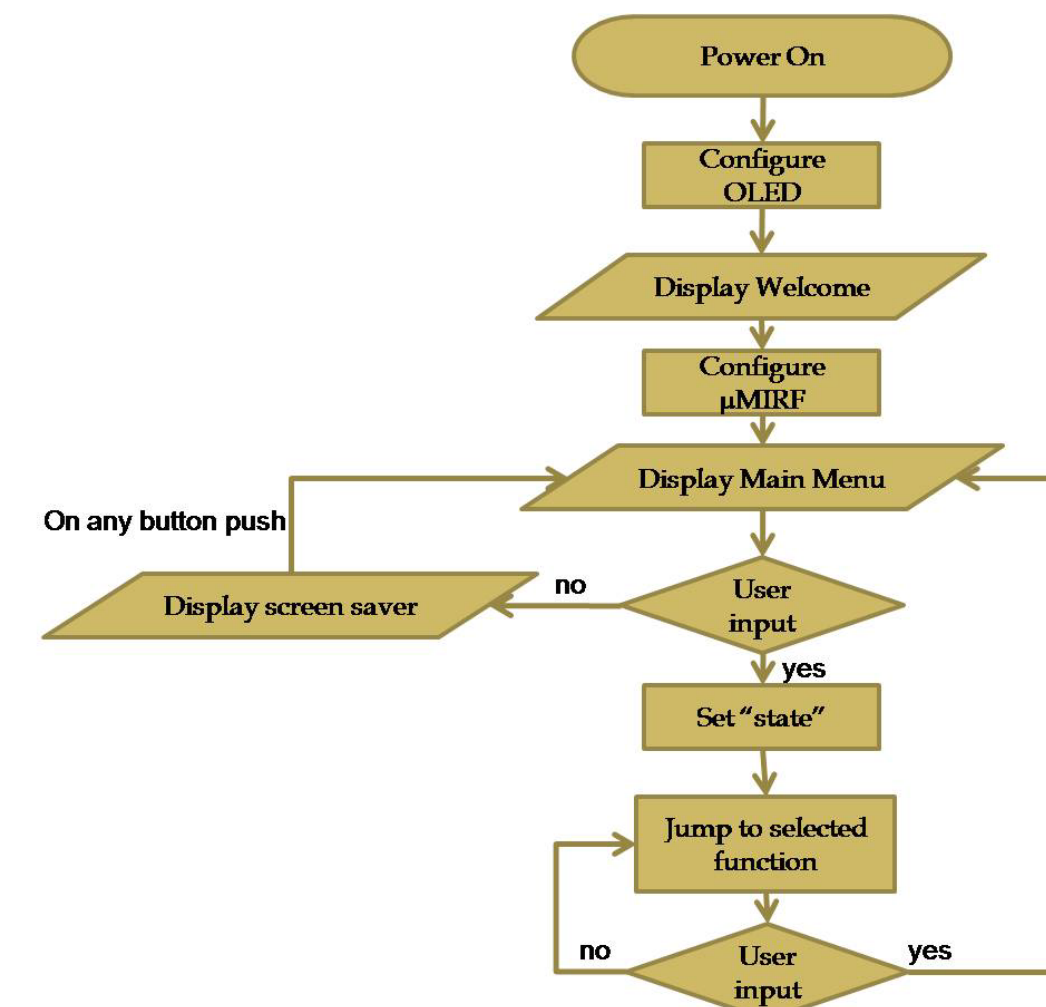
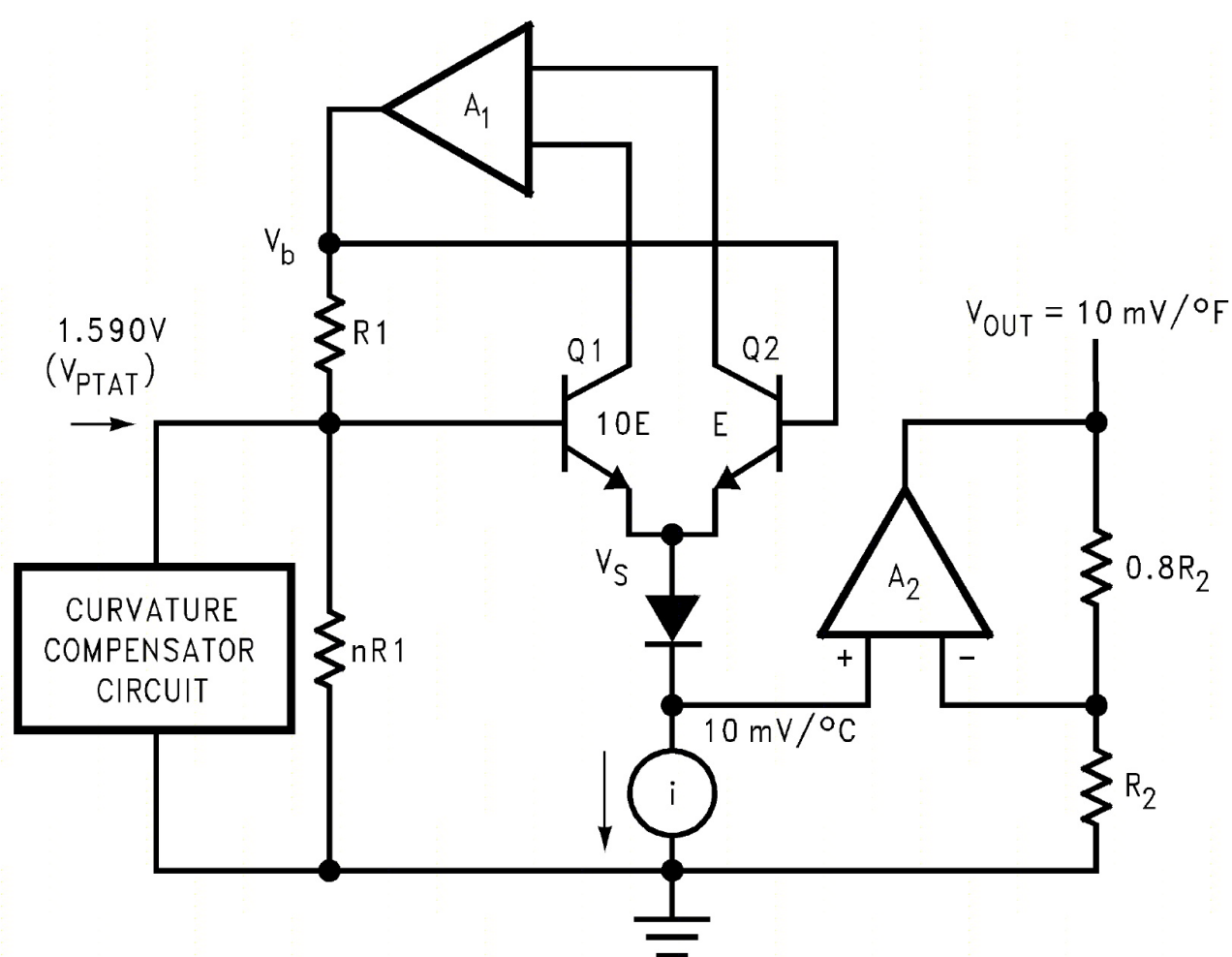


host institution  
University of Porto

research advisor  
Diamantino Freitas

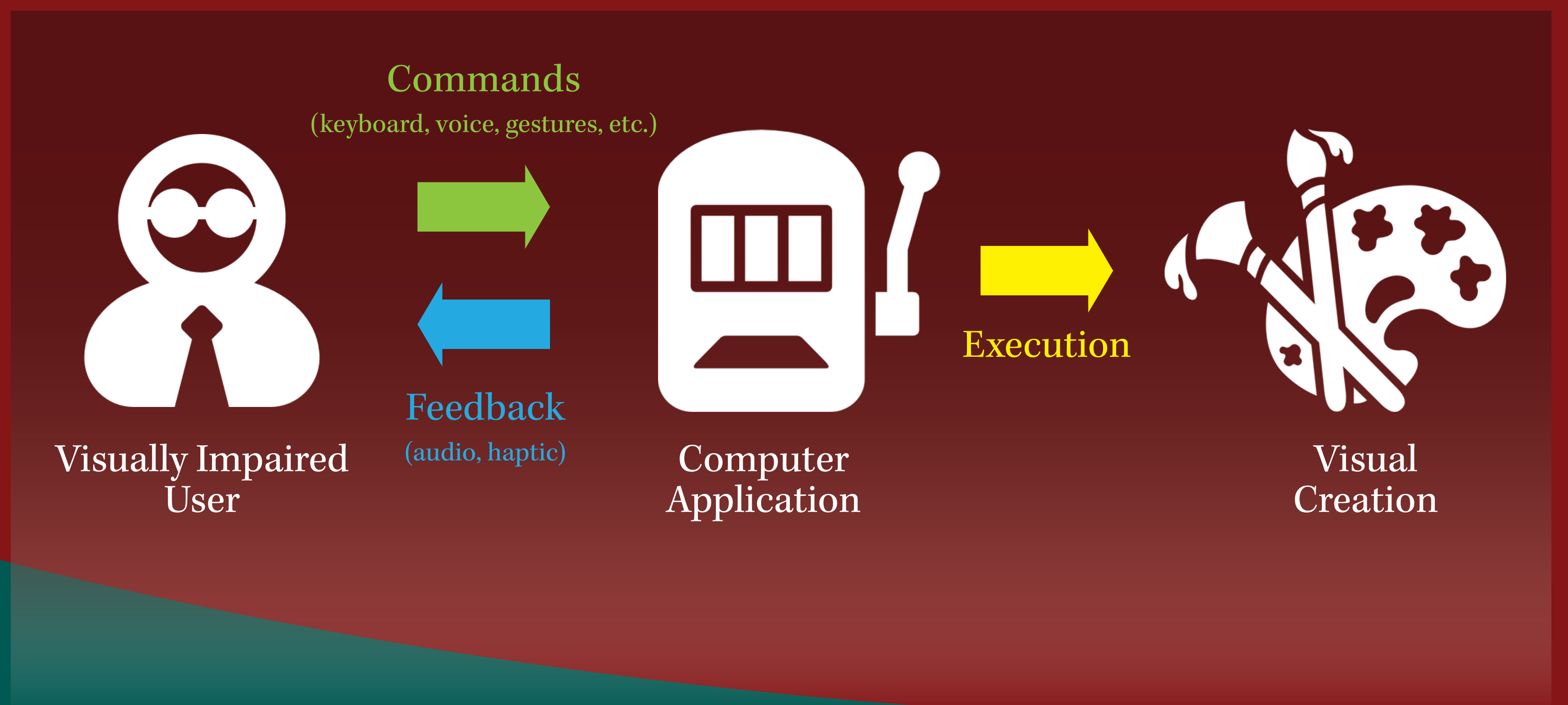


Most of the available assistive technologies are conveying information.  
What about the creative process?  
Can a visually impaired person create visual content?



Our answer is yes!  
Through proper feedback, exploring other available human senses (hearing and/or touch).

The first steps in this direction were done with our paper  
“Automatic description of SVG images for the visually impaired: a Gestaltic approach”



Access this poster text version  
<http://goo.gl/jRseyj>